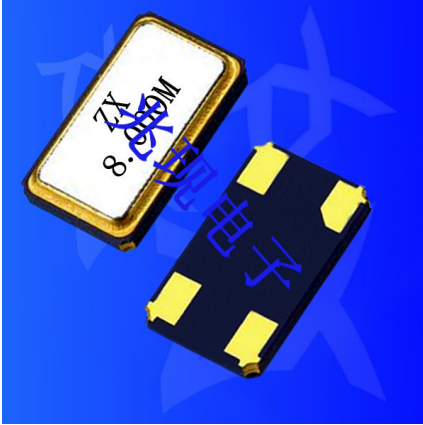


## SMD Crystal (ZX 6 x 3.5)



### Application of SMD crystal:

- Radio communication
- Office automation equipment
- GPS
- Audio-visual equipment

### {Features}

Seam welding  
 Excellent solderability  
 Automatic and perfect packing due to emboss taping  
 Excellent vibration resistance & shock resistance  
 Rohs compliant / Pb free



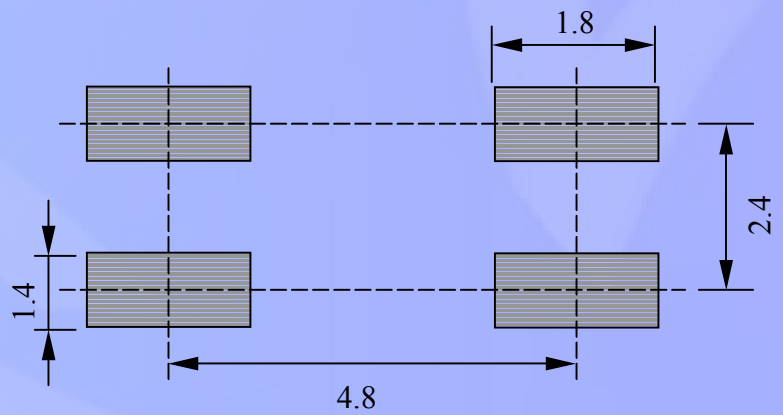
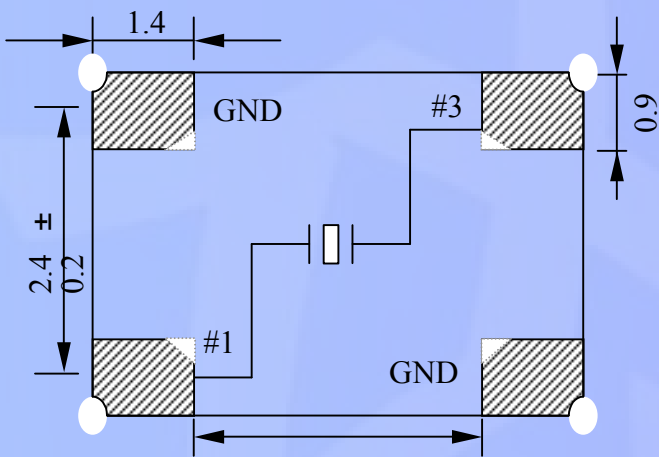
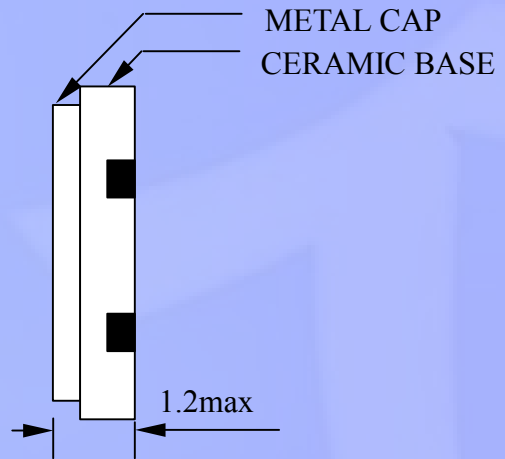
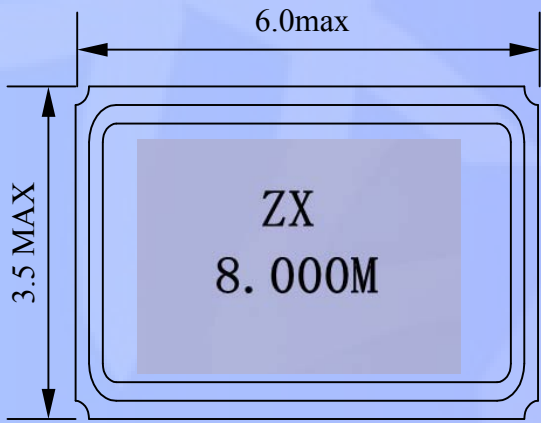
### Electrical Specification:

Model	ZX-6035
<b>1.Frequency</b>	
Frequency Range	10.0 ~ 125.000 MHz
Frequency Tolerance at 25 °C ±2 °C	± 10 ~ ± 20 ppm (TYP.)
Frequency Stability Over Operating Temp Range	± 10 ~ ± 30 ppm (TYP.)
<b>2.Environmental Condition</b>	
Operating Temp Range	-10 °C ~ +60 °C, -20 °C ~ +70 °C or customer requirement
Storage Temp Range	-40 °C ~ +85 °C
Aging Rate	± 3ppm/year
<b>3.Electrical Specifications</b>	
Test Circuit	S&A 250B
Load Capacitance	6 pF ~ 32 pF, series or special
Drive Level	1uW ~ 100uW or special
Shunt Capacitance	7.0pF max

### Equivalent Series Resistance(ESR) VS Frequency:

Frequency (MHz)	Oscillation Mode	ZX-6035
10 ~ 12.0	Fundamental	80
12.1 ~ 25.0	Fundamental	60
25.1 ~ 52.0	Fundamental	40
45.1 ~ 125.0	3rd overtone	80

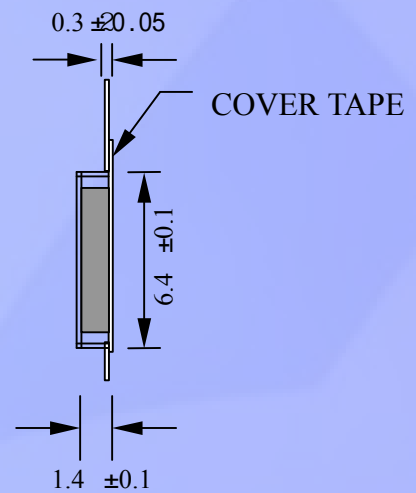
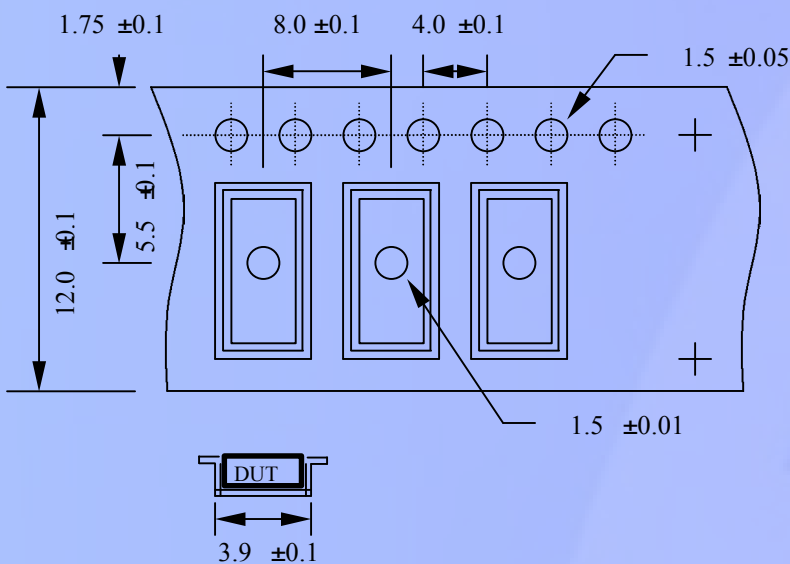
**Dimensions (mm):**



< TOP VIEW >

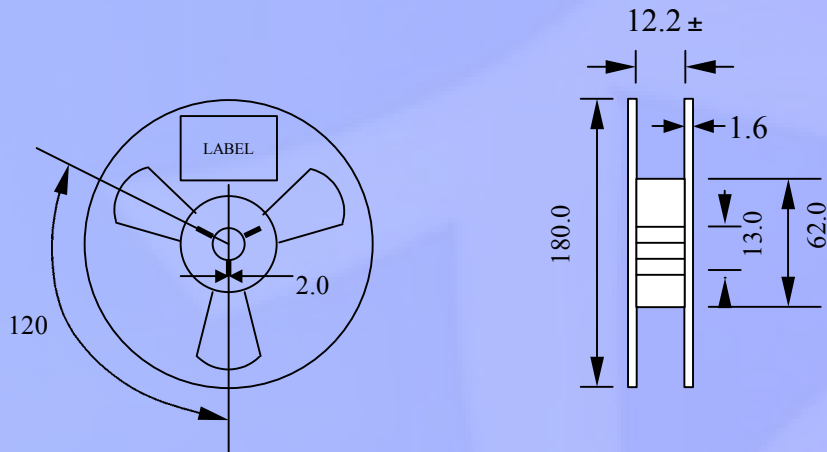
( Recommended Land Pattern )

**Tape specification: (mm)**



COVER TAPE

### Reel packing (mm):



### Reflow Temperature profile:

